

Under-Counter Refrigerator Drawers

E24RD75HPS professional series



Precision Set™ Electronic Controls

These integrated electronic controls offer precise temperature control and their top-of-drawer location makes them easy to program.



Smooth-Glide™ Drawers

Fully extending drawers glide out easily and smoothly, providing simple and convenient access to every item.



Roomy Storage

Offering the largest storage space available in drawer-style refrigeration. Each drawer is tall enough to store a two-liter bottle and wide enough to hold items such as serving trays and pizza boxes.



Condiment Tray & Beverage Shelf

The covered condiment tray lifts out as a whole and also has four removable compartments for extra storage. In addition, the beverage shelf offers added storage and organization for glass bottles or cans.

UNDER-COUNTER REFRIGERATOR DRAWERS

Capacity	6.0 Cu. Ft.
Configuration	2 Drawers
Installation Type	Built In

FEATURES

Precision Set™ Electronic Controls	Yes
Fully Integrated Control Panel	Yes
Blue LED Display	Yes
Smooth-Glide™ Full-Extension Self-Closing Drawers	Yes
Theatre Lighting	Yes
PureAdvantage® Air Filtration	Yes
Electronic Control Lock	Yes
Display Temp Mode (°C or °F)	Yes
Door Ajar Acoustic Alarm	Yes
High-Temperature Acoustic Alarm	Yes
Power Failure Acoustic Alarm	Yes
Mute Sound Control	Yes
Power-On/Off Control	Yes
Vacation Mode	Yes
Sabbath Mode (Star-K® Certified)	Yes
Holds 12" Bottle (Upper and Lower Drawer)	Yes
Storage Shelf (Lower Drawer)	Yes
Frost-Free Performance	Yes
Dynamic Condenser	Yes

ADDITIONAL FEATURES

Professional Series Drawer and Handle Design	Yes
Adjustable Leveling Legs	4
ENERGY STAR®	Yes

ACCESSORIES

Condiment Tray – PN# 241965501	Included
Beverage Shelf – PN# 241997401	Included
PureAdvantage® Replacement Air Filter – PN# EAFCBF	Included

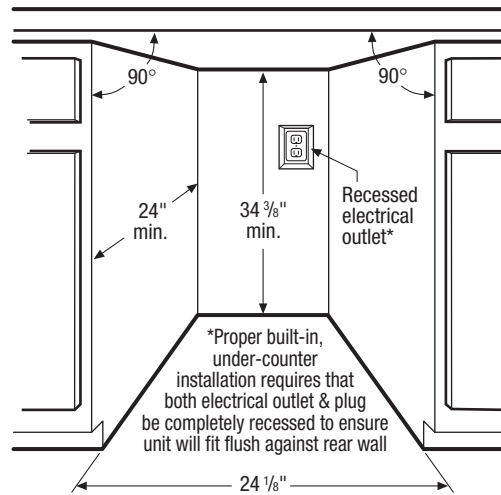
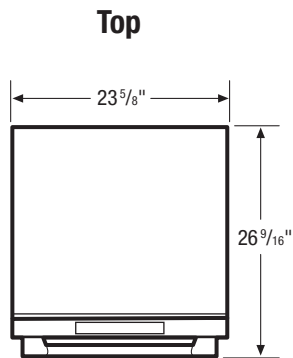
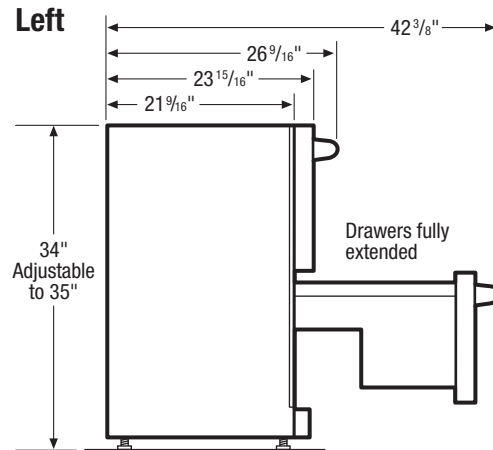
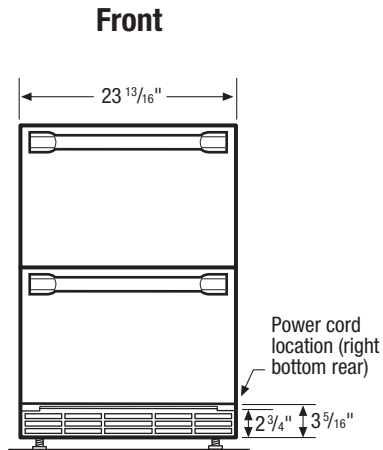
SPECIFICATIONS

Cavity Dimensions –	
Height (Upper Drawer)	12-3/64"
(Lower Drawer)	12-3/16"
Width	18-1/16"
Depth	18-9/32"
Overall Exterior Dimensions –	
Height	34" – 35"
Width	23-13/16"
Depth (To handle)	26-9/16"
(Fully Extended Including Handle)	42-3/8"
Temperature Range	34° F-45° F
Electrical Cable	Yes
Power Supply Connection Location	Right Bottom Rear
Voltage Rating	120V/60Hz/15A
Connected Load (kW Rating) @ 120 Volts†	0.16
Minimum Circuit Required (Amps)	15
Shipping Weight (Approx.)	156 Lbs.

†For use on adequately wired 120V, dedicated circuit having 2-wire service with a separate ground wire. Appliance must be grounded for safe operation.

NOTE: Always consult local and/or national electric codes. Refer to Product Installation Guide for detailed installation instructions on the web at electroluxicon.com.

Specifications subject to change.



Under-Counter Refrigerator Drawers Specifications

- Product Weight – 146 Lbs.
- Voltage Rating – 120V/60 Hz/15 Amps
- Connected Load (kW Rating) @ 120 Volts = 0.16kW
(For use on adequately wired 120V, dedicated circuit having 2-wire service with a separate ground wire. Appliance must be grounded for safe operation.)
- Amps @ 120 Volts = 1.5 Amps
- Electrical cable supplied.
- Always consult local and/or national electric codes.
- Unit is designed for built-in, under-counter installation only with use of Anti-Tip Kit and can NOT be used in freestanding installation.
- Built-in, under-counter installation does not require additional airspace for top, sides or rear of unit.
- Proper built-in, under-counter installation requires that both electrical outlet and plug be completely recessed to ensure unit will fit flush against rear wall.

- To allow for ease of installation and removal, it is recommended that cabinet rough opening dimensions be increased by at least 1/4" over product's dimensions.
- For proper ventilation, unit can NOT be installed behind closed doors; front grille MUST remain unobstructed.
- Must be positioned on flat, level surface, capable of supporting entire weight when fully loaded.
- Leveling legs supplied to adjust height and level unit.
- Do not position unit near any heat source to ensure optimum performance.
- Allow 17" minimum for handle clearance with drawers fully extended.

Note: For planning purposes only. Refer to Product Installation Guide on the web at electroluxicon.com for detailed instructions.