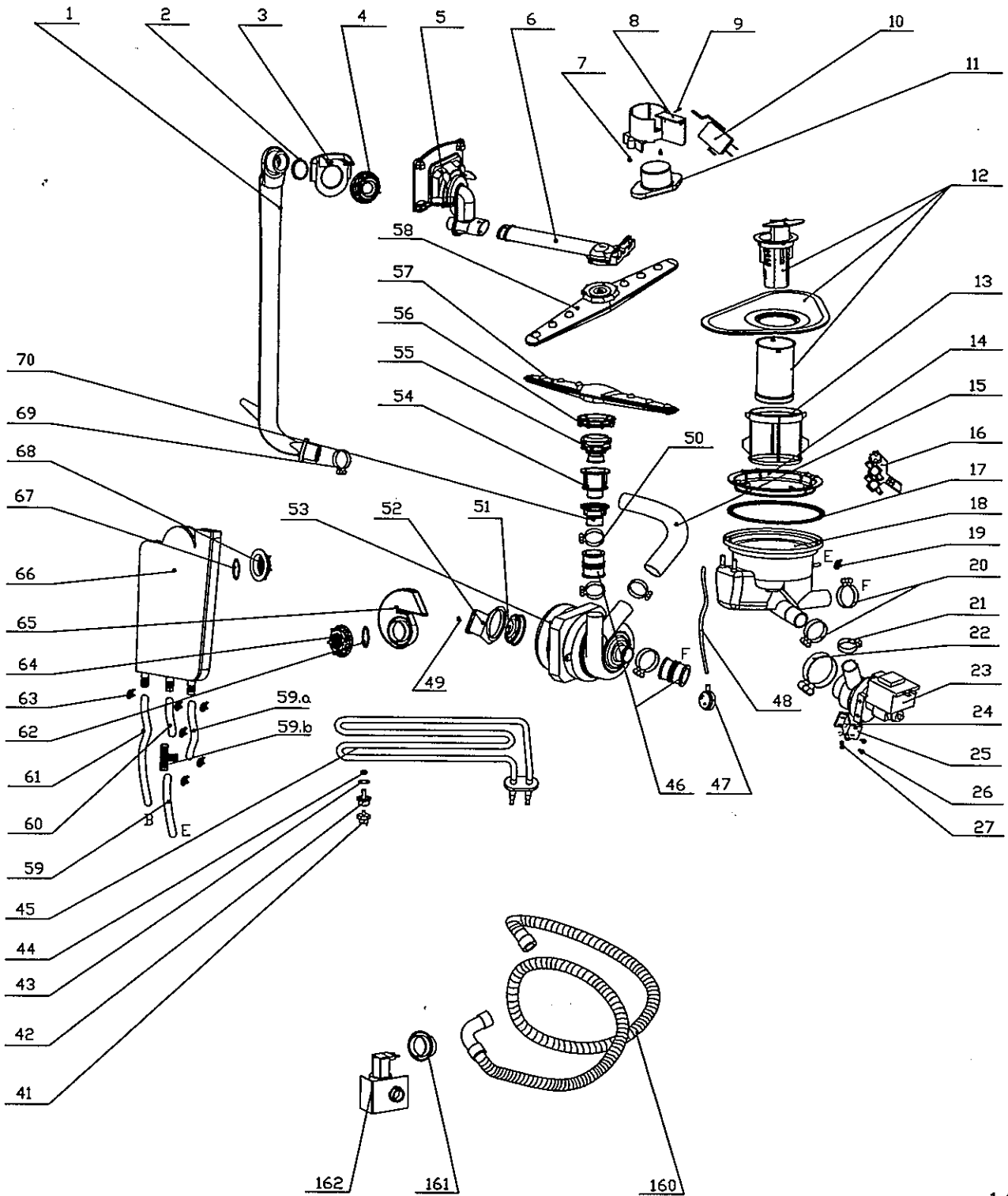
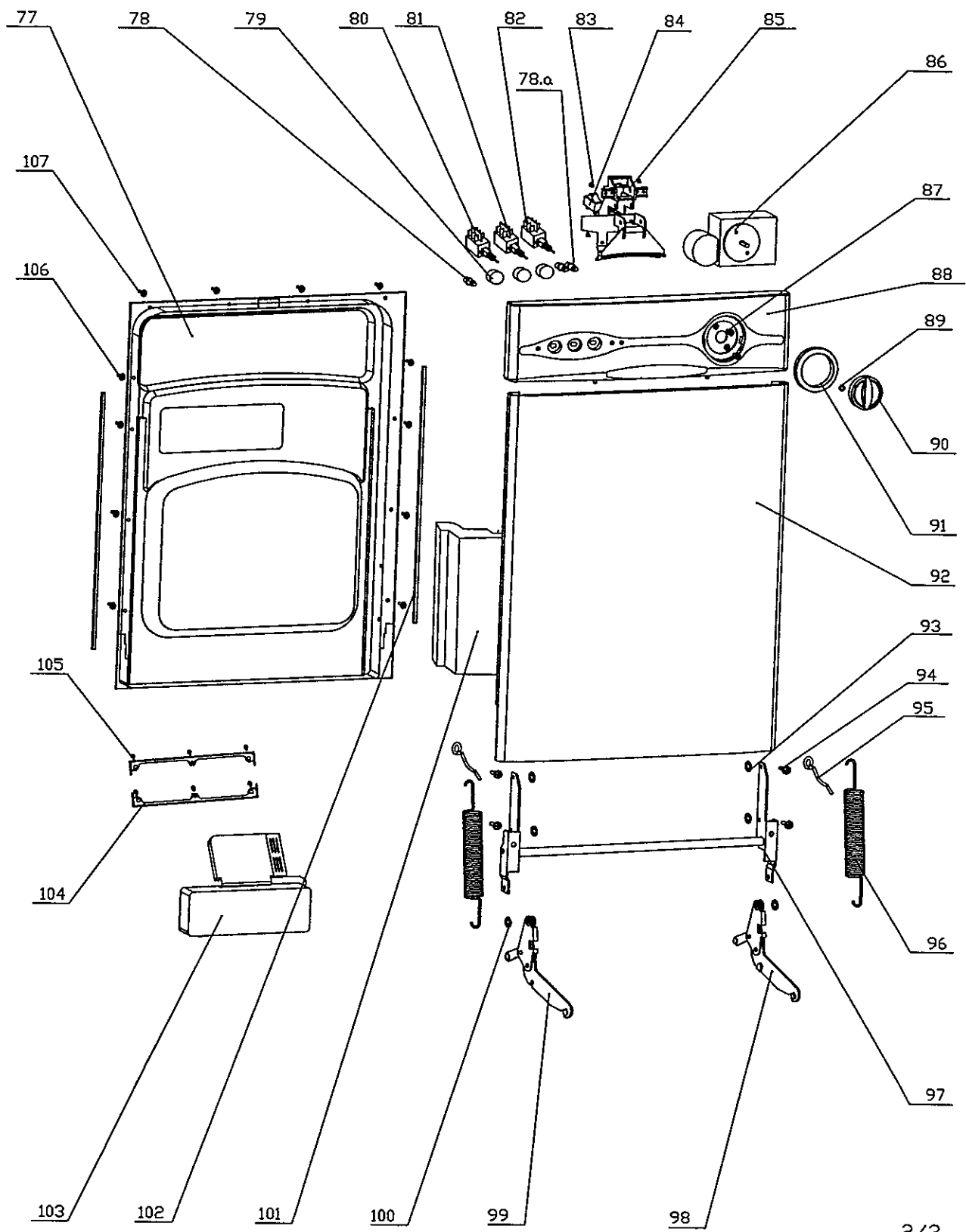


DW-18





Dishwasher DW18 Parts List

No.	Part No.	Description	Q'ty	Unit Price USD	Price USD
1	1802.1	External pipe	1	0.75	0.75
2	1802.2	O Ring I	1	0.05	0.05
3	1802.3	Guide casing	1	0.13	0.13
4	1802.4	External pipe nut	1	0.04	0.04
5	1802.5	Water dispenser	1	0.68	0.68
6	1802.6	Upper sprayer pipe	1	0.25	0.25
7	1802.7	Philips tapping screw ST3.5×9	2	0.01	0.02
8	1802.8	Float holder	1	0.24	0.24
9	1802.9	Philips tapping screw ST2.9×22	1	0.01	0.01
10	1802.10	Micro switch	1	0.56	0.56
11	1802.11	Float	1	0.03	0.03
12	1802.12	Central filter	1	3.18	3.18
13	1802.13	Micro filter	1	0.19	0.19
14	1802.14	Well nut	1	0.22	0.22
15	1802.15	Connect hose of external pipe	1	0.25	0.25
16	1802.16	Thermostat assembly	1	1.45	1.45
17	1802.17	Well gasket	1	0.18	0.18
18	1802.18	Water well	1	0.64	0.64
19	1802.19	Clamp 14.9×1.8	1	0.08	0.08
20	1802.20	OTK 310	2	0.12	0.24
21	1802.21	OTK 286	1	0.12	0.12
22	1802.22	OTK 440	1	0.12	0.12
23	1802.23	Drain pump	1	4.8	4.8
24	1802.24	Spring washer M6	2	0.02	0.04
25	1802.25	Drain pump support	1	0.04	0.04
26	1802.26	Philips screw M4×12 + Self-locking nut M4 + Spring washer M4	2	0.05	0.1
27	1802.27	Philips screw M6×12	2	0.01	0.02
160	1802.35	Drain hose	1	1.7	1.7
161	1802.38	Drain hose holder	1	0.28	0.28
162	1802.39	Inlet valve	1	1.3	1.3
41	1802.41	Protecting thermostat	1	0.85	0.85
42	1802.42	Protecting thermostat holder	1	0.18	0.18
43	1802.43	O Ring II	1	0.01	0.01
44	1802.44	Nut M8	1	0.03	0.03
45	1802.45	Heating elements	1	3.6	3.6
46	1802.46	Connect hose	2	0.15	0.3
47	1802.47	Pressure switch	1	1.8	1.8
48	1802.48	PVC hose	1	0.26	0.26
49	1802.49	Philips screw M4×10	1	0.01	0.01
50	1802.50	OTK 310	4	0.12	0.48
51	1802.51	Washing motor support	1	0.18	0.18
52	1802.52	Washing motor cushion	1	0.16	0.16
53	1802.53	Washing motor	1	17.5	17.5
54	1802.54	Outer tie-in	1	0.16	0.16
55	1802.55	Lower sprayer axes	1	0.14	0.14
56	1802.56	Lower sprayer nut	1	0.06	0.06
57	1802.57	Lower sprayer	1	1.35	1.35

58	1802.58	Upper sprayer	1	1.1	1.1
59	1802.59	Well hose of air breather	1	0.25	0.25
59.a	1802.00	Assistant hose	1	0.16	0.16
59.b	1802.001	Tee	1	0.33	0.33
60	1802.60	Outlet hose of air breather	1	0.24	0.24
61	1802.61	Inlet hose of air breather	1	0.24	0.24
62	1802.62	O Ring I	1	0.04	0.04
63	1802.63	OTK 175	6	0.12	0.72
63.a	1802.63.a	Clamp 14.9×1.8	2	0.08	0.16
64	1802.64	Air breather nut	1	0.04	0.04
65	1802.65	Air inlet	1	0.16	0.16
66	1802.66	Air breather	1	1.17	1.17
67	1802.67	O Ring I	1	0.04	0.04
68	1802.68	Air breather nut	1	0.05	0.05
69	1802.69	OTK 310	1	0.12	0.12
70	1802.70	Inner tie-in	1	0.16	0.16
77	1802.77	Inner door	1	5.4	5.4
78	1802.78	Red pilot lamp	2	0.28	0.56
78.a	1802.002	Lamp plug	1	0.05	0.05
79	1802.79	Push button	3	0.04	0.12
80	1802.80	Power switch	1	0.66	0.66
81	1802.81	Control switch I	1	0.66	0.66
82	1802.82	Control switch II	1	0.73	0.73
83	1802.83	Philips tapping screw ST4×12	4	0.01	0.04
84	1802.84	Door switch	1	0.68	0.68
85	1802.85	Handle	1	1.15	1.15
86	1802.86	Timer	1	9.6	9.6
87	1802.87	Philips chamfer head screw M4×6	2	0.01	0.02
88	1802.88	Front panel	1	1.5	1.5
89	1802.89	Knob ring	1	0.02	0.02
90	1802.90	Knob	1	0.13	0.13
91	1802.91	Knob panel	1	0.14	0.14
92	1802.92	Outer door	1	1.93	1.93
93	1802.93	Ring Φ6	4	0.02	0.08
94	1802.94	Dowel	4	0.02	0.08
95	1802.95	Door spring bolt	2	0.04	0.08
96	1802.96	Door spring	2	0.13	0.26
97	1802.97	Door hinge	1	0.65	0.65
98	1802.98	Right hinge	1	0.73	0.73
99	1802.99	Left hinge	1	0.73	0.73
100	1802.100	Ring Φ6	2	0.02	0.04
101	1802.101	Inner door foam	1	0.15	0.15
102	1802.102	Door edge guard piece	2	0.06	0.12
103	1802.103	Dispenser	1	5.4	5.4
104	1802.104	Dispenser bracket	2	0.13	0.26
105	1802.105	Philips tapping screw ST3.9×13	6	0.01	0.06
106	1802.106	Stainless steel Philips tapping screw ST3.5×13	8	0.01	0.08
107	1802.107	Stainless steel Philips tapping screw ST3.5×16	4	0.01	0.04
108	1802.108	Left frame	1	1.3	1.3
109	1802.109	Lower back crosspiece	1	1	1
111	1802.111	Stainless steel Philips chamfer head screw M4×16	1	0.01	0.01
112	1802.112	Self-locking nut M4	1	0.02	0.02
113	1802.113	Locking hook and Coupling block	1	0.15	0.15

per Mecan these switches are the same blades

115	1802.114	Top board hook	2	0.14	0.28
115	1802.115	Upper front crosspiece	1	0.99	0.99
116	1802.116	Truss head Philips tapping screw ST 4x16	2	0.01	0.02
119	1802.117	Right frame	1	1.3	1.3
119	1802.119	Cup rack	4	0.17	0.68
120	1802.120	Upper basket wheel	8	0.24	1.92
121	1802.121	Upper basket	1	5.5	5.5
122	1802.122	Tank gasket	1	1.17	1.17
123	1802.123	Lower basket	1	5.8	5.8
124	1802.124	Lower basket wheel	8	0.24	1.92
125	1802.125	Cutlery basket	1	0.68	0.68
129	1802.129	Guide end	4	0.15	0.6
130	1802.130	Basket guide	2	0.65	1.3
131	1802.131	Guide support	4	0.1	0.4
133	1802.132	Junction box	1	0.31	0.31
133	1802.133	Baseboard	1	1.05	1.05
136	1802.135	Support foot	2	0.35	0.7
136	1802.136	Philips tapping screw ST3.5x9	8	0.01	0.08
138	1802.137	Lower front crosspiece	1	0.85	0.85
138	1802.138	Philips tapping screw ST3.5x9	2	0.01	0.02
139	1802.139	Float hose	1	0.27	0.27
144	1802.140	Adjustable foot	4	0.18	0.72
144	1802.144	Tank	1	15.8	15.8
145	1802.145	Hex head tapping screw ST5x20	8	0.02	0.16
147	1802.146	Installer hook	2	0.15	0.3
172	1802.147	Sound insulation felt	1	2.2	2.2

129.41