

# KitchenAid® 30" (76.2 cm) Classic Commercial Style Dual Fuel Convection Range

## PRODUCT MODEL NUMBERS

KDRP407H

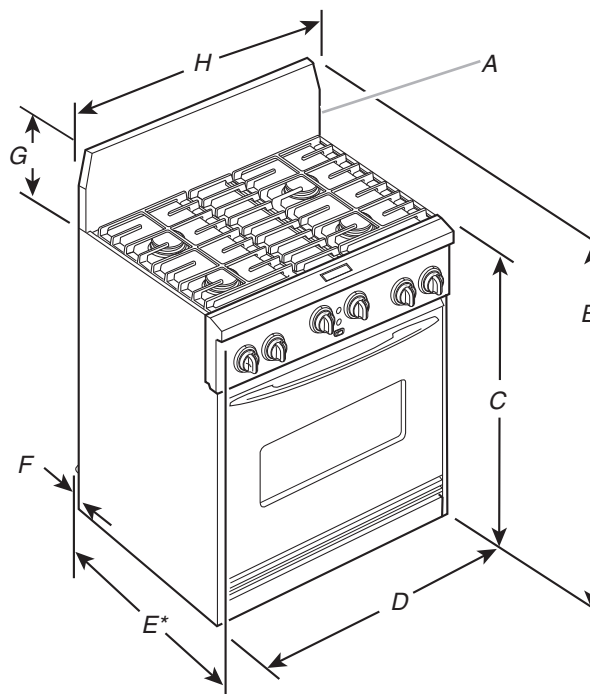
**Gas supply:** Use 3/4" (1.9 cm) rigid pipe gas supply line to the range location. A smaller size pipe on long runs may result in insufficient gas supply. With L.P. gas, piping or tubing size can be 1/2" (1.3 cm) minimum. If local codes permit, a new flexible metal appliance connector, design-certified by CSA, 4-5 feet (122-152.4 cm) long, 5/8" (1.6 cm) or 3/4" (1.9 cm) I.D., may be used for connecting the range to the rigid gas supply line. A 1/2" (1.3 cm) male pipe thread is needed for connection to pressure regulator female pipe threads. An easily accessible individual manual shutoff valve must be located in the same room, but external to the range.

**Electrical US:** A 4-wire or 3-wire, single-phase, 208/240-volt, 60-Hz., AC-only electrical supply is required on a separate, 30-amp circuit, fused on both sides of the line. A time-delay fuse or circuit breaker is recommended. The fuse size must not exceed the circuit rating of the range specified on the model/serial number rating plate located on the right vertical surface of the oven door frame.

**Electrical Canada only:** When a 4-wire, single-phase 208/240-volt, 60-Hz., AC-only electrical supply is available, a 30-amp minimum circuit protection is required, fused on both sides of the line. A time-delay fuse or circuit breaker is recommended.

This range is equipped with a CSA International Certified Power Cord intended to be plugged into a standard 14-50R wall receptacle. Be sure the wall receptacle is within reach of range's final location.

## PRODUCT DIMENSIONS

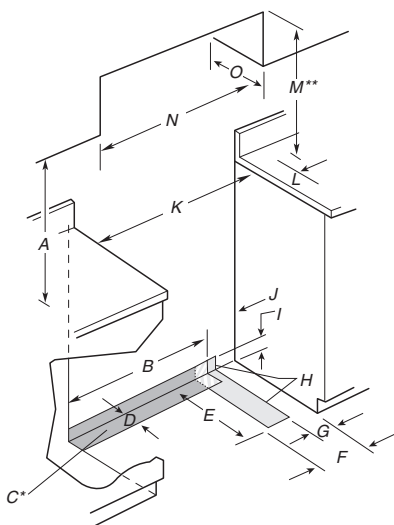


- A. Backguard (required for some installations)
- B. 45" (114.3 cm) overall height
- C. 36" (91.4 cm) cooktop height with feet loosened 3/4 turn
- D. 30" (76.2 cm) width
- E. 26 1/2" (67.3 cm) width with control panel\*
- F. 1/4" (0.64 cm) spacer
- G. 9 1/4" (23.5 cm) backguard height
- H. 30" (76.2 cm) cooktop width

\*When installed in a 24" (61 cm) base cabinet with 25" (63.5 cm) countertop; front of oven door protrudes 1-7/8" (4.8 cm) beyond 24" (61 cm) base cabinet.

## CABINET OPENING DIMENSIONS

Cabinet opening dimensions shown are for 25" (64 cm) countertop depth, 24" (61 cm) base cabinet depth and 36" (91.4 cm) countertop height.



- A. 18" (45.7 cm) upper cabinet to countertop
- B. 22" (55.9 cm)
- C. Junction box to be located in this shaded area, see NOTE\*
- D. 4" (10.2 cm)
- E. 20" (50.8 cm)
- F. 12" (30.5 cm)
- G. 5-1/2" (14 cm)
- H. Gas line opening to be located in this shaded area
- I. 3-1/2" (8.9 cm)
- J. 8" (20.3 cm)
- K. 30-1/4" (76.8 cm)
- L. 4" (10.2 cm) min. clearance from both sides of range to side wall or other combustible material
- M. For minimum clearance to top of range, see NOTE\*\*
- N. 30" (76.2 cm) min. upper cabinet width
- O. 13" (33 cm) max. upper cabinet depth

\*NOTE: Receptacle must be rotated 90° for Canadian installation.

\*\*NOTE: 36" (91.4 cm) minimum when bottom of wood or metal cabinet is protected by not less than 1/4" (0.64 cm) flame retardant millboard covered with not less than No. 28 MSG sheet steel, 0.015" (0.4 mm) stainless steel, 0.024" (0.6 mm) aluminum or 0.020" (0.5 mm) copper.

42" (106.7 cm) minimum clearance between the top of the cooking platform and the bottom of an unprotected wood or metal cabinet.

If installing a hood above the range, follow the hood instructions for dimensional clearances above the cooktop surface.