

ED24, ID24, MDH24, MDV24, PD24



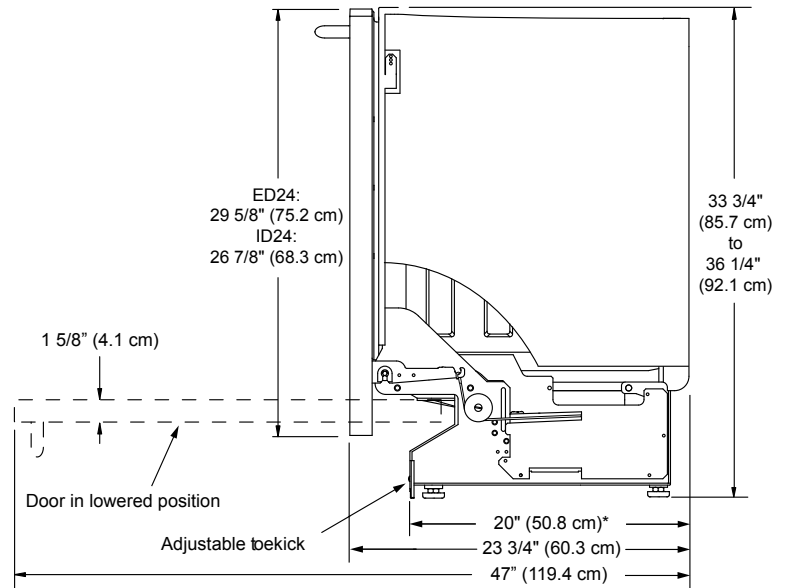
24 Inch Wide Dishwashers

PLANNING GUIDE

Tolerances: +1/16", -0, (+1.6 mm, -0) unless otherwise stated

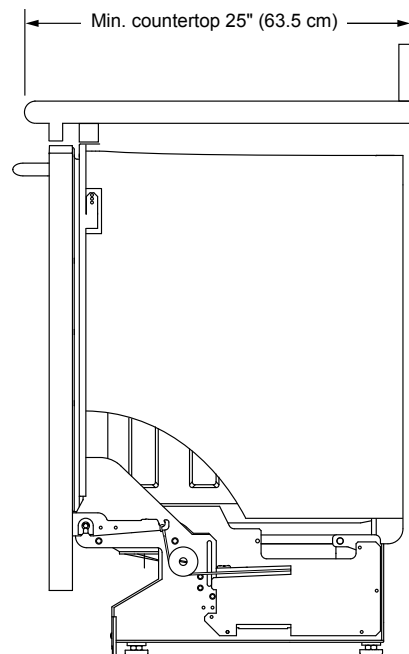


**DIMENSIONS
FRONT VIEW WITH DOOR CLOSED
(ED24 SHOWN)**



* Allows for hose on back of unit

**OVERALL DIMENSIONS SIDE VIEW
(ED24 SHOWN)**



CABINET INSTALLATION SIDE VIEW

WARNING

- Observe all governing codes and ordinances during planning and installation. Contact your local building department for further information.
- This appliance must be installed in accordance with the accompanying installation instructions.

Electrical Circuit Required	Water Pressure	Water Temperature
15 Amp, 120 Vac, 60 Hz. dedicated, grounded circuit. See the model number label on product for total connected loaded. Electrical wiring not provided.	20 to 120 psi (138 - 827 kPa)	120 °F, minimum

For model PD24:

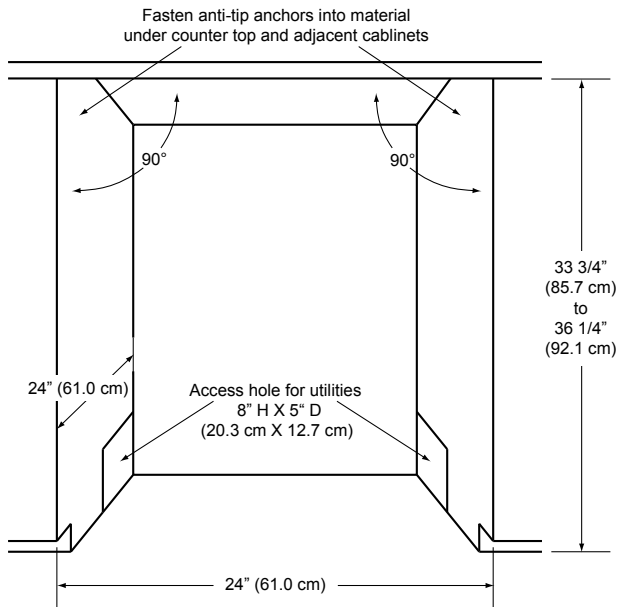
The Dacor color palette has been developed and implemented throughout our product offerings in order to provide designers and customers with a coordinating suite of products. All of our Dacor Preference products compliment the design aesthetic of today's kitchens as well as one another. Due to the inherent nature of color rendition, the variation of materials used to assemble these handcrafted products and manufacturing production tolerances, variation based upon ambient and natural lighting conditions as well as surrounding surface color and texture may cause noticeable variation in saturation. These Dacor products are intended to coordinate with one another and noticeable differentiation may be apparent if units are installed directly adjacent to one another.

ED24, ID24, MDH24, MDV24, PD24

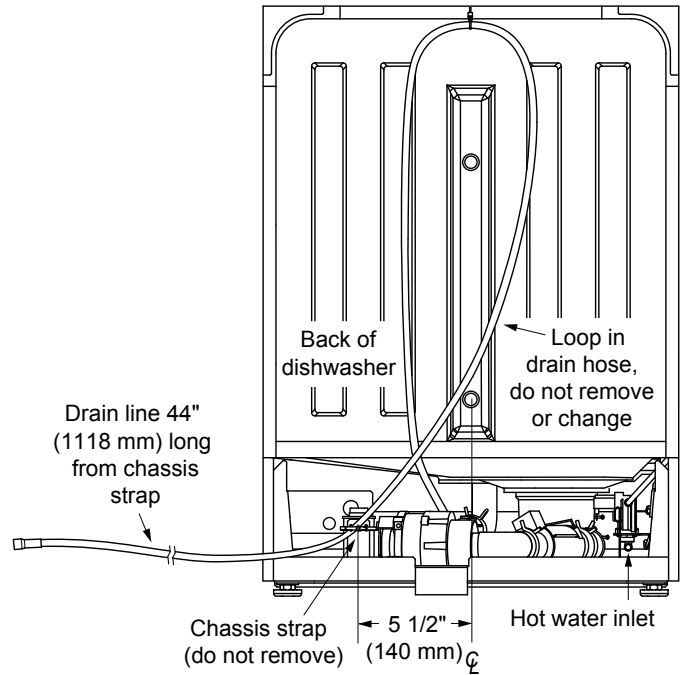


24 Inch Wide Dishwashers

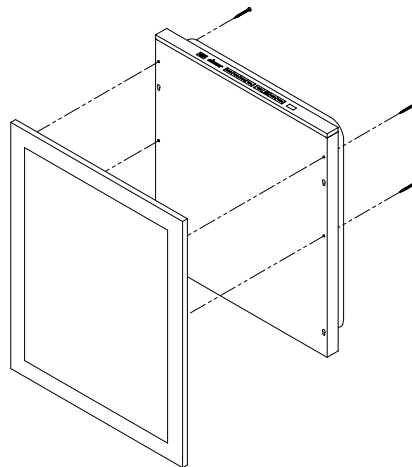
PLANNING GUIDE



CUT-OUT FRONT VIEW



UTILITY CONNECTIONS



CUSTOM PANEL INSTALLATION (ID24 ONLY)

For proper door spring operation, the maximum door panel weight, including hardware, is 12 lbs. (5.4 kg).

Model	Width	Maximum Height	Minimum Thickness	Maximum Thickness
ID24	23 7/8" (606 mm)	30" (762 mm)	5/8" (16 mm)	3/4" (19 mm)

CUSTOM PANEL OVERALL DIMENSIONS (ID MODEL ONLY)